

# 2.92mm Male to 2.92mm Male RF Adapter



Tone Spread  
Solutions for Wireless Signal

Telecommunication Technology & Engineering Accessories

Rev.V1.2

## Specifications of 2.92mm Male to 2.92mm Male RF Adapter

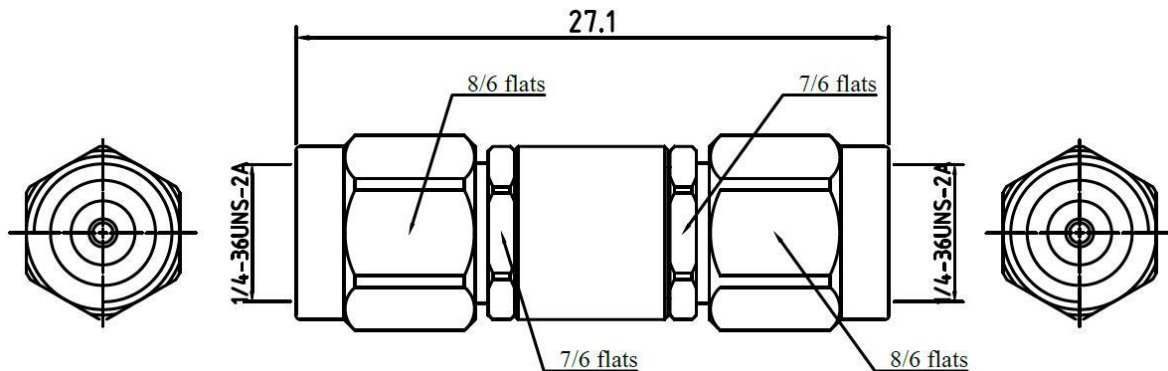
Mechanical & Electrical Specification:

Model	2.92/M-2.92/M
Applicab Standard	MIL-STD-348A
Frequency Range	DC~40GHz
VSWR	≤1.20
Impedance	50Ω
Connector	2.92mm Male to 2.92mm Male
Insertion Loss	0.3dB
Withstand Voltage	750V rms
Vibration	CJB 9001C-2017
Mechanical Durability	>700 Cycles
Temperature Range	-65°C~165°C
Durability	500 Cycles

Material & Plating:

Name of part	Material	Plating
Shell	SUS303	Passivation
Contact PIN	Berylium	Gold Plated
Socket	Berylium	Gold Plated
Crimping Suite	Berylium	Gold Plated
Insulator	PEI	

Dimensions:



Note: The drawing only for reference, please make the object as the standard.



# 2.92mm Female to 2.92mm Female RF Adapter



Tone Spread  
Solutions for Wireless Signal

Telecommunication Technology & Engineering Accessories

Rev.V1.2

## Specifications of 2.92mm Female to 2.92mm Female RF Adapter

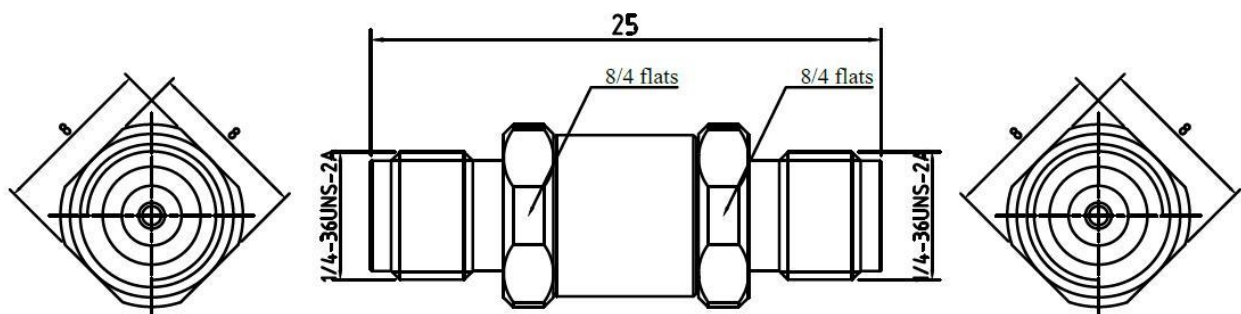
Mechanical & Electrical Specification:

Model	2.92/F-2.92/F
Applicable Standard	MIL-STD-348A
Frequency Range	DC~40GHz
VSWR	≤1.20
Impedance	50Ω
Connector	2.92mm Female to 2.92mm Female
Insertion Loss	0.3dB
Withstand Voltage	750V rms
Vibration	CJB 9001C-2017
Mechanical Durability	>700 Cycles
Temperature Range	-65°C~165°C
Durability	500 Cycles

Material & Plating:

Name of part	Material	Plating
Shell	SUS303	Passivation
Contact PIN	Beryllium	Gold Plated
Socket	Beryllium	Gold Plated
Crimping Suite	Beryllium	Gold Plated
Insulator	PEI	

Dimensions:



Note: The drawing is only for reference, please make the object as the standard.



# 2.92mm Male to 2.92mm Female RF Adapter



Tone Spread  
Solutions for Wireless Signal

Telecommunication Technology & Engineering Accessories

Rev.V1.2

## Specifications of 2.92mm Male to 2.92mm Female RF Adapter

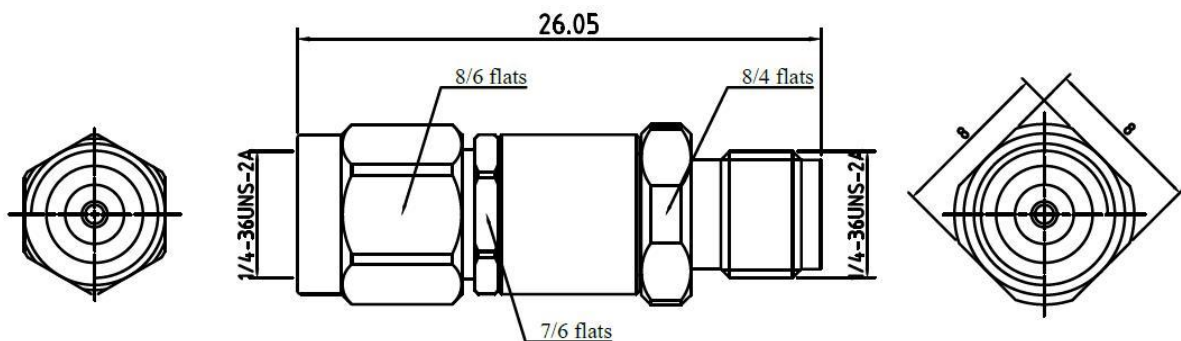
Mechanical & Electrical Specification:

Model	2.92/M-2.92/F
Applicable Standard	MIL-STD-348A
Frequency Range	DC~40GHz
VSWR	≤1.20
Impedance	50Ω
Connector	2.92mm Male to 2.92mm Female
Insertion Loss	0.3dB
Withstand Voltage	750V rms
Vibration	CJB 9001C-2017
Mechanical Durability	>700 Cycles
Temperature Range	-65°C~165°C
Durability	500 Cycles

Material & Plating:

Name of part	Material	Plating
Shell	SUS303	Passivation
Contact PIN	Beryllium	Gold Plated
Socket	Beryllium	Gold Plated
Crimping Suite	Beryllium	Gold Plated
Insulator	PEI	

Dimensions:



Note: The drawing only for reference, please make the object as the standard.



# 1.85mm Male to 1.85mm Male RF Adapter



Tone Spread  
Solutions for Wireless Signal

Telecommunication Technology & Engineering Accessories

Rev.V1.2

## Specifications of 1.85mm Male to 1.85mm Male RF Adapter

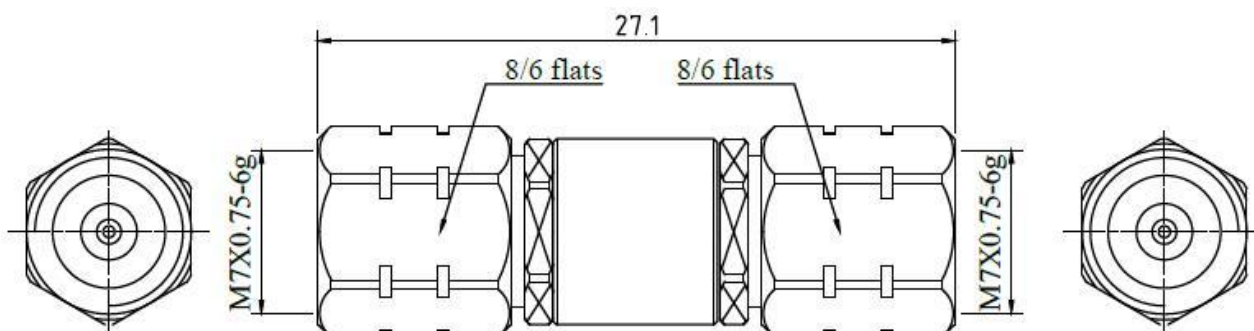
Mechanical & Electrical Specification:

Model	1.85/M-1.85/M
Frequency Range	DC~67GHz
VSWR	≤1.35
Impedance	50Ω
Connector	1.85mm Male to 1.85mm Male
Insertion Loss	0.5dB
Withstand Voltage	330V rms
Vibration	CJB 9001C-2017
Mechanical Durability	>700 Cycles
Temperature Range	-65°C~165°C
Durability	500 Cycles

Material & Plating:

Name of part	Material	Plating
Shell	SUS303	Passivation
Contact PIN	Berylium	Gold Plated
Socket	Berylium	Gold Plated
Crimping Suite	Berylium	Gold Plated
Insulator	PEI	

Dimensions:



Note: The drawing only for reference, please make the object as the standard.



# 1.85mm Male to 1.85mm Female RF Adapter



Tone Spread  
Solutions for Wireless Signal

Telecommunication Technology & Engineering Accessories

Rev.V1.2

## Specifications of 1.85mm Male to 1.85mm Female RF Adapter

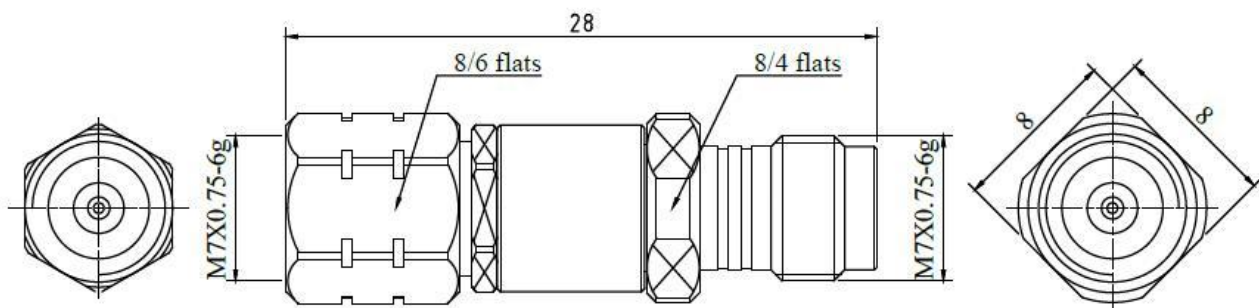
Mechanical & Electrical Specification:

Model	1.85/M-1.85/F
Frequency Range	DC~67GHz
VSWR	≤1.35
Impedance	50Ω
Connector	1.85mm Male to 1.85mm Female
Insertion Loss	0.5dB
Withstand Voltage	330V rms
Vibration	CJB 9001C-2017
Mechanical Durability	>700 Cycles
Temperature Range	-65°C~165°C
Durability	500 Cycles

Material & Plating:

Name of part	Material	Plating
Shell	SUS303	Passivation
Contact PIN	Berylium	Gold Plated
Socket	Berylium	Gold Plated
Crimping Suite	Berylium	Gold Plated
Insulator	PEI	

Dimensions:



Note: The drawing only for reference, please make the object as the standard.



# 1.85mm Female to 1.85mm Female RF Adapter



Tone Spread  
Solutions for Wireless Signal

Telecommunication Technology & Engineering Accessories

Rev.V1.2

## Specifications of 1.85mm Female to 1.85mm Female RF Adapter

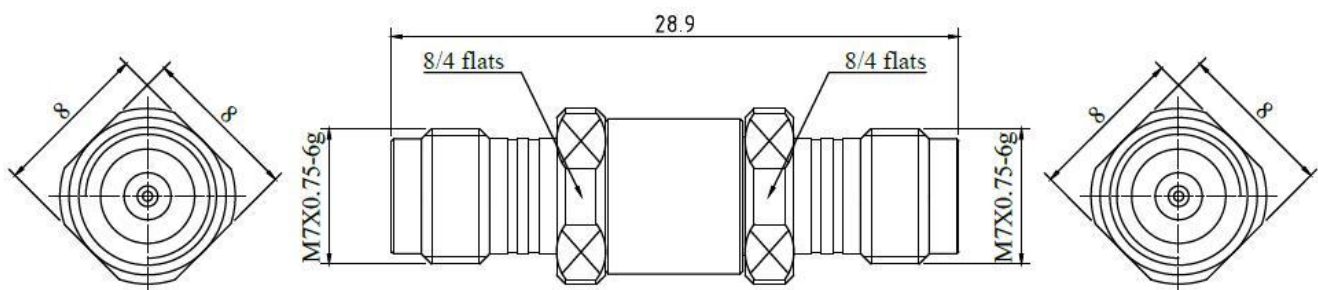
Mechanical & Electrical Specification:

Model	1.85/F-1.85/F
Frequency Range	DC~67GHz
VSWR	≤1.35
Impedance	50Ω
Connector	1.85mm Female to 1.85mm Female
Insertion Loss	0.5dB
Withstand Voltage	330V rms
Vibration	CJB 9001C-2017
Mechanical Durability	>700 Cycles
Temperature Range	-65°C~165°C
Durability	500 Cycles

Material & Plating:

Name of part	Material	Plating
Shell	SUS303	Passivation
Contact PIN	Berylium	Gold Plated
Socket	Berylium	Gold Plated
Crimping Suite	Berylium	Gold Plated
Insulator	PEI	

Dimensions:



Note: The drawing only for reference, please make the object as the standard.



# 1.85mm Male to 1.85mm Female RF Adapter



Tone Spread  
Solutions for Wireless Signal

Telecommunication Technology & Engineering Accessories

Rev.V1.2

## Specifications of 1.85mm Male to 1.85mm Female Bulkhead RF Adapter

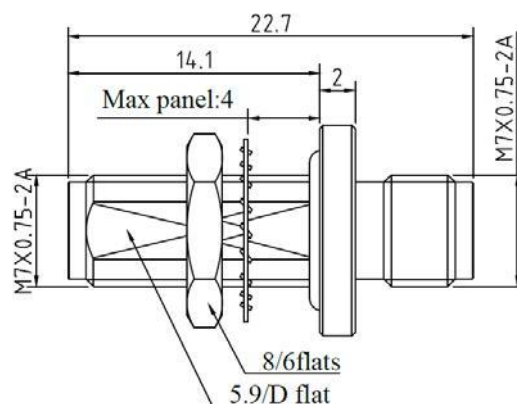
Mechanical & Electrical Specification:

Model	1.85/M-1.85/F(BH)
Frequency Range	DC~67GHz
VSWR	≤1.35
Impedance	50Ω
Connector	1.85mm Male to 1.85mm Female Bulkhead
Insertion Loss	0.5dB
Withstand Voltage	330V rms
Vibration	CJB 9001C-2017
Mechanical Durability	>700 Cycles
Temperature Range	-65°C~165°C
Durability	500 Cycles

Material & Plating:

Name of part	Material	Plating
Shell	SUS303	Passivation
Contact PIN	Berylium	Gold Plated
Socket	Berylium	Gold Plated
Crimping Suite	Berylium	Gold Plated
Insulator	PEI	

Dimensions:



Note: The drawing only for reference, please make the object as the standard.



# 1.85mm Male to 1.85mm Female Bulkhead RF Adapter



Tone Spread  
Solutions for Wireless Signal

Telecommunication Technology & Engineering Accessories

Rev.V1.2

## Specifications of 1.85mm Female to 1.85mm Female Bulkhead RF Adapter

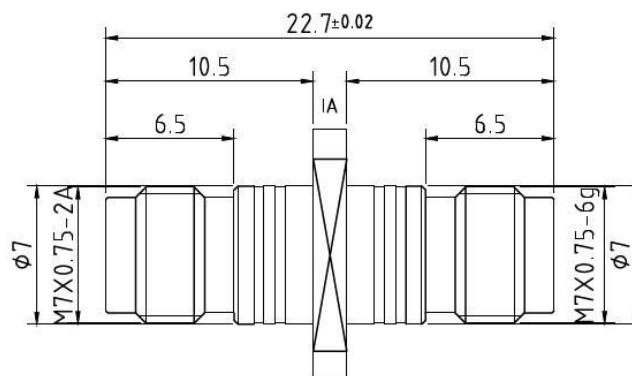
Mechanical & Electrical Specification:

Model	1.85/F-1.85/F(BH)
Frequency Range	DC~67GHz
VSWR	≤1.35
Impedance	50Ω
Connector	1.85mm Female to 1.85mm Female Bulkhead
Insertion Loss	0.5dB
Withstand Voltage	330V rms
Vibration	CJB 9001C-2017
Mechanical Durability	>700 Cycles
Temperature Range	-65°C~165°C
Durability	500 Cycles

Material & Plating:

Name of part	Material	Plating
Shell	SUS303	Passivation
Contact PIN	Berylium	Gold Plated
Socket	Berylium	Gold Plated
Crimping Suite	Berylium	Gold Plated
Insulator	PEI	

Dimensions:



Note: The drawing only for reference, please make the object as the standard.

